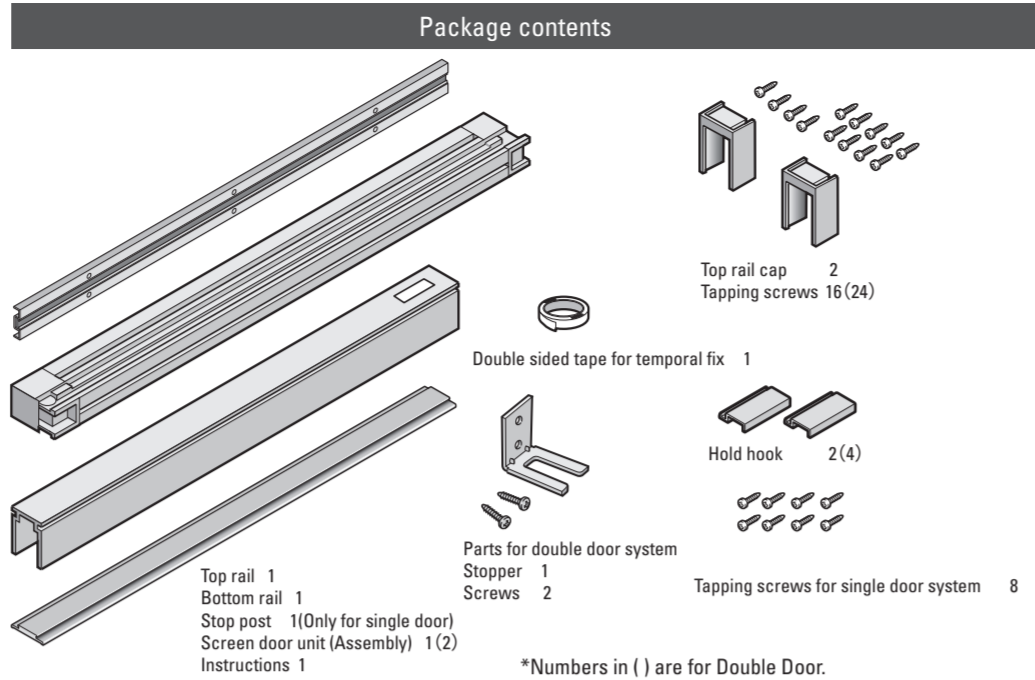
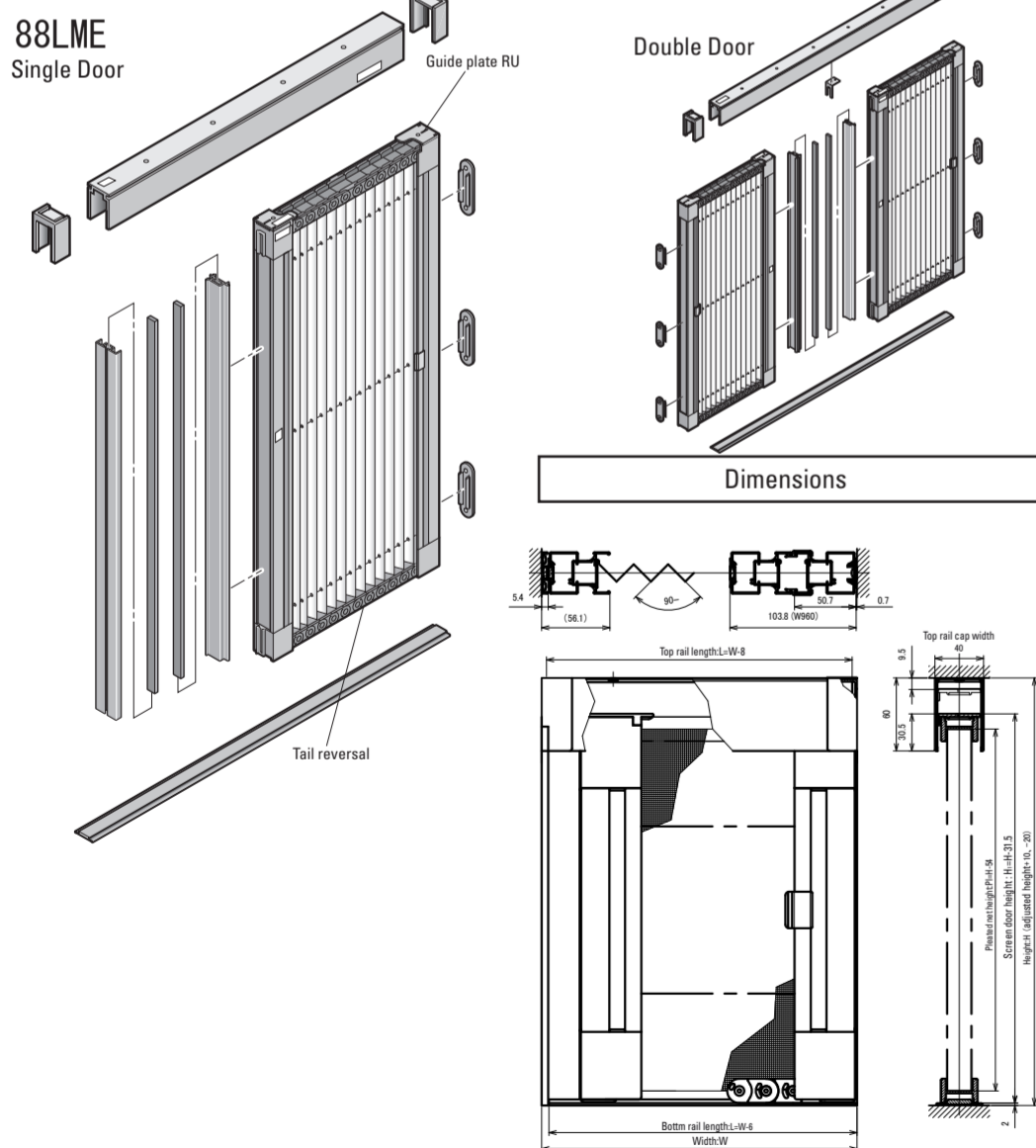
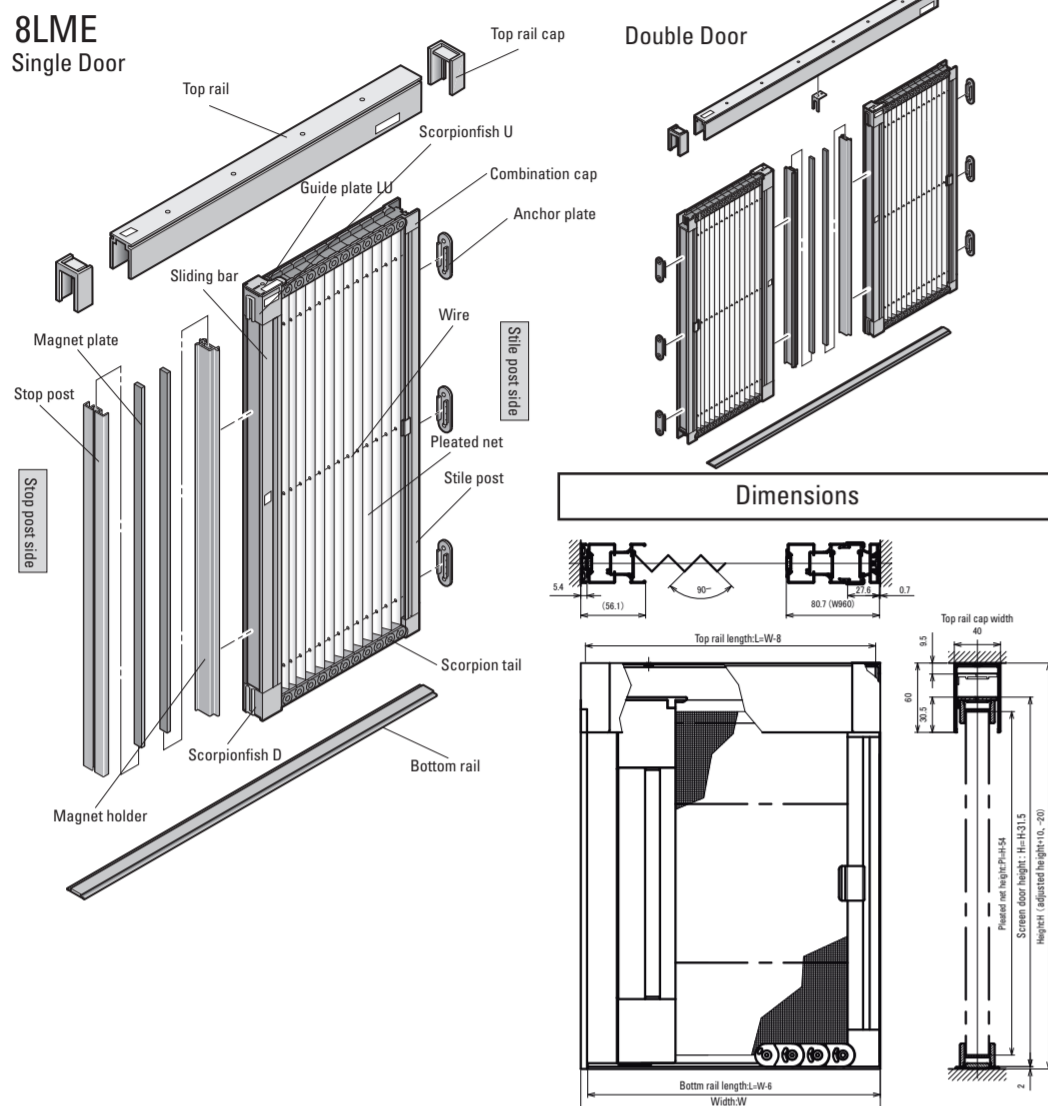




メタコプリーツネット 侍風 Metaco Pleat Net Zipooh Installation Guide

Thank you for purchasing the pleated insect screen.
Please read these instructions carefully and follow them when installing the screen door. After installation, keep the instructions in a safe place so you can refer to them when necessary.

Configuration and part names



Installation

1. Reconfirm the installation location.
Choose an installation location at which the screen door can be opened and closed unimpeded.

① Choose a place where the rail and floor can be flat, and where there is a width of at least 40 mm for installation.

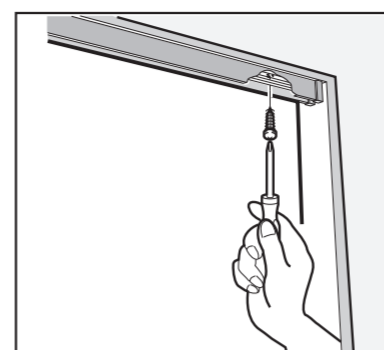
② Make sure doorknobs and door closers will not interfere with the screen door after it is installed.

③ Make sure the facing surfaces at the opening are parallel and all four corners are right-angled.
2. Clean the installation surfaces.
Wipe away all oil residue, dust, water, sand and mud from the installation surface and the floor and then wipe these surfaces with a dry cloth to ensure that the product is installed properly.
3. Cut the top rail.
Cut the top rail to fit the installation width.
Cut dimensions: installation width W - 8 mm

Note
There is a seal on the side of the top rail that should be cut. Also, when cutting, be careful not to bend the top rail, as this may affect how smoothly the screen door opens and closes.
4. Cut the bottom rail.
Cut the bottom rail to match the installation width.
Single door system Cut size: Installation width - 6mm
Double door system Cut size: Installation width - 2mm

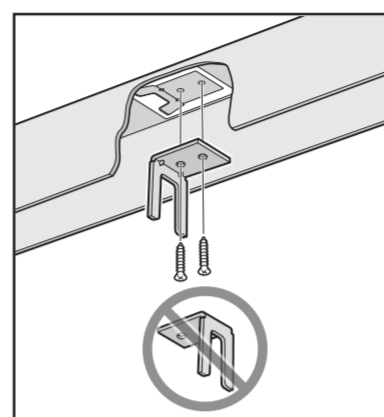
Note
Do not cut the rail too short, as this will affect performance.
5. Insert the top rail caps.
Insert the top rail caps on the ends of the top rail.
6. Install the top rail.
① Fix the temporal double tape on Top rail and peel the white tape off the top rail.
Confirm that the top rail cap is fully inserted to the end and fix the top rail in line with the installation place and stick it to the top surface temporarily so that the space on the edges to the right and left should be equal.

Note
Please do not fix the top rail diagonally as it will affect the open & close operation.

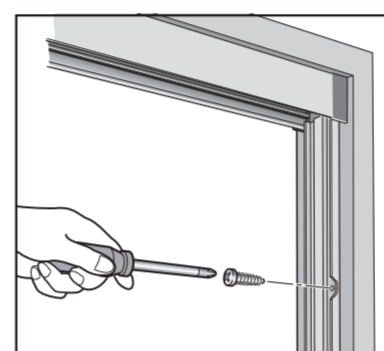


② Fix the top rail with tapping screws.
Note
Please do not screw it so tightly that the top rail will be damaged.

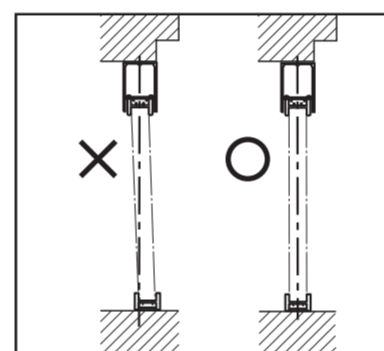
Push each top rail cap onto the edges so that there is no space.



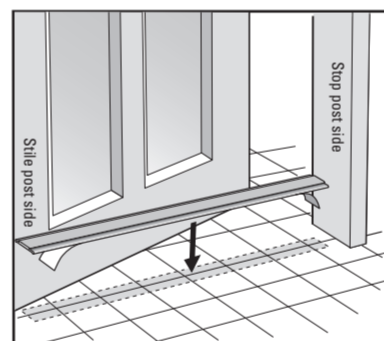
Install Stopper (for Double Doors)
③ Install Stopper at the meeting point where both screen doors meet.
A sticker is placed in the Top Rail showing how the Stopper should be installed. Screw fix the Stopper according to this sticker.
ATTENTION) If you have cut the Top Rail to match installation width, the Stopper install location will change. Reconfirm the Stopper install location and re-make a screw hole with a ϕ 4.5mm drill.



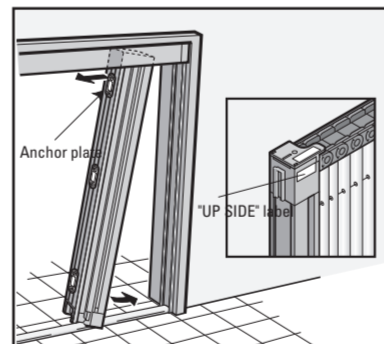
7. Installation of stop post with magnet
Note
You can check which is the top or bottom with the sticker.



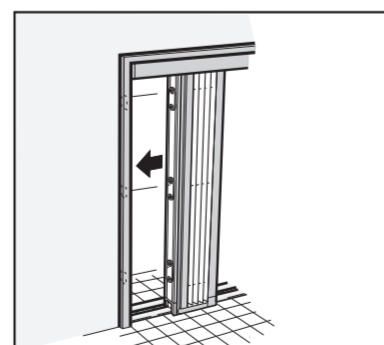
8. Install the bottom rail.
Mark the position where the bottom rail is to be installed.
Note
Install the bottom rail so the center line of the top rail and bottom rail match. If the center line does not match, the screen door will not open and close properly.



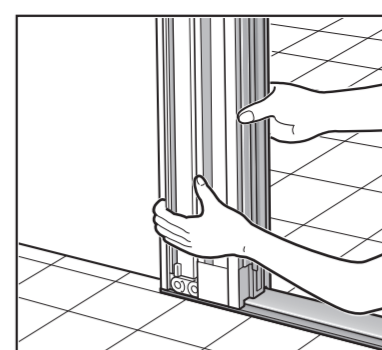
Peel the white tape (of the double sided tape) off the rail and push the rail down along with the indicated line on the floor but it should reach the stile post side while there should be space on the stop post side.
Note
If you have to remove the rail to correct its position, the double-stick tape will lose its stickiness, so be sure to mark the position in advance and install it properly the first time. To ensure that the rail adheres properly, leave it to set for 24 hours.



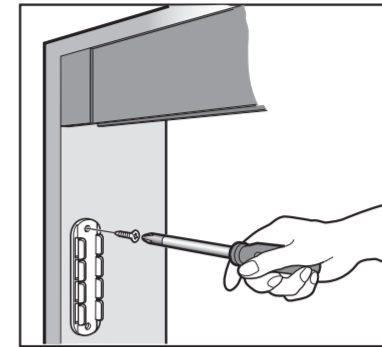
9. Attach the screen door unit.
① Remove the binding tape from the screen door unit.
② Check to make sure the screen door unit is right side up. The side labeled "UP SIDE" on the scorpionfish is the top.
③ Remove the protective paper from the double-stick tape from the anchor plates fastened to the side of the stile post opposite the screen door unit.
④ Tilt the screen door unit and fit it between the top and bottom rails.



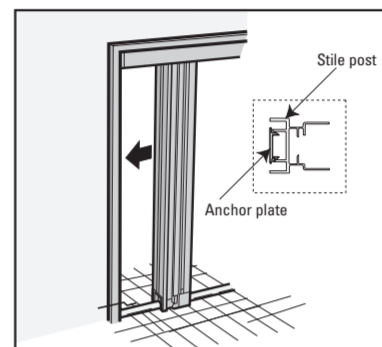
⑤ Keeping the bottom of the screen door unit in contact with the bottom rail, press the surface with the double-stick tape firmly against the door installation frame to fasten it in place.
Note
Make sure the screen door unit does not stick up out of the rail. Also, do not open and close the screen door until the installation is complete, as this may damage the screen door.



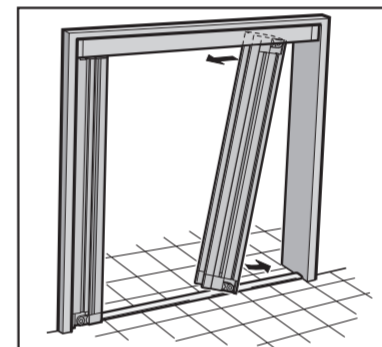
10. Screw the anchor plates to the door installation frame. Hold the stile post with both hands and pull it toward the door stop. The door and stile post will come loose. Instead of pulling evenly over the whole post, it is easier to pull from one end first.



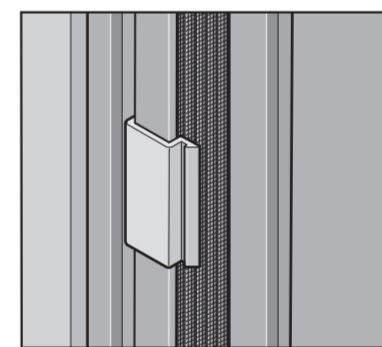
At this point, the anchor plates are only temporarily attached to the door installation frame with the double-stick tape, so they must be fastened with tapping screws.
Note
Do not tighten the screws too far, as this may break the anchor plates. For this reason, you should tighten the screws by hand; do not use an electric screwdriver.



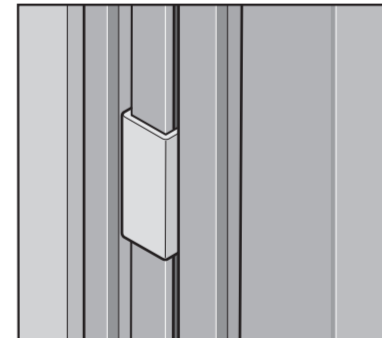
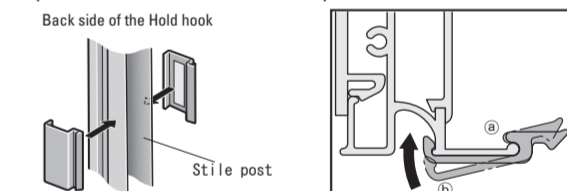
Using the same procedure as when you attached the screen door unit, and making sure that the screen door unit does not stick out from the rail, align the stile post with the projections on the anchor plates and press firmly to fasten the screen door unit in place.



For Double Door
Attach another screen door unit in the same procedures.



11. Hold hook setting
① Peel off the white tape of double-sided tape (at the back face of Hold hook), hook it at a) on Stile post and push b) to stick on Stile post. Stick two pcs of Hold hook at some good position on both sides of Stile post.



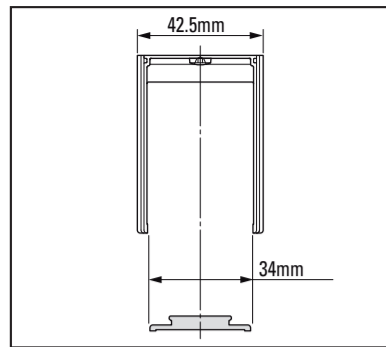
② When you close the insect screen and hook the Hold hook on the Stile post, the Stile post and the Slide bar will be put together so that the pleated net goes out of sight for better look.

In case of double door system
Please stick hold hooks on another screen unit in the same way.

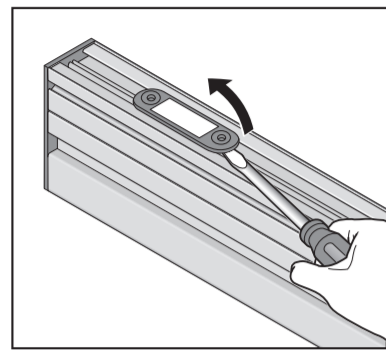
This completes the installation procedure. Before officially handing over the product to the customer, check the following items.
① Open and close the screen door several times and make sure the screen door can be operated with no problems.
② Make sure the top and bottom rails have been installed properly.
③ Check parts for scratches, bending or warping.
④ Check to make sure the stile post and anchor plates are fastened together securely.
⑤ Make sure there is no gap between the sliding bar and the door stop.
If there are no problems, officially hand over the product to the customer. If there are problems, check the "Troubleshooting" section and make the appropriate adjustments, or, depending on the nature of the problem, call your dealer.

METACO inc. HEAD OFFICE

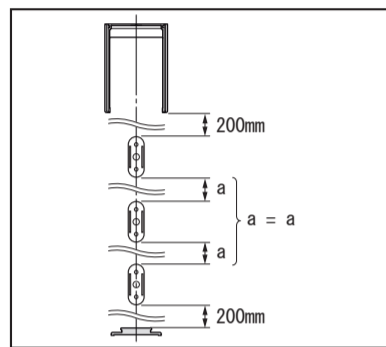
203 Nagatani Hill Plaza Roppongi, 7-3-8 Roppongi, Minato-ku, Tokyo,
106-0032 Japan TEL 81-3-5414-2506 FAX 81-3-3403-6498
URL <http://www.metaco.net>



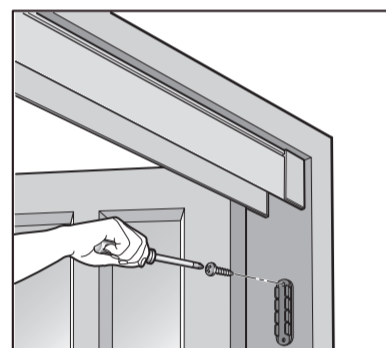
12. In case of "cloth" finish on the installation surface
 ① Mark the line on the frame on Stile post side in line with the center of Top rail and Bottom rail.



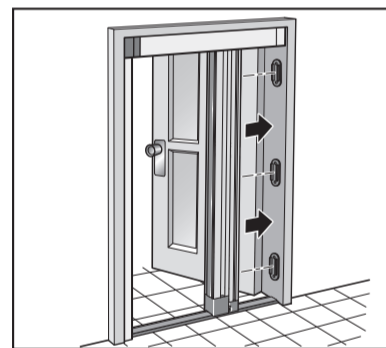
② Take all the Anchor plates off the Screen unit.



③ Mark the point in line with the already marked line on the frame as instructed in the Point 12-① at 200mm from Top rail and Bottom rail respectively. Then Mark other points at some equal interval where to stick Anchor plates.

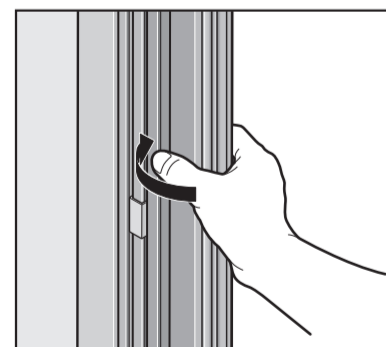


④ Take off the white tape of Anchor plate and stick it on the frame temporarily.
 ⑤ Then immediately fix the Anchor plate with tapping screw. Note) Don't screw it too tightly. It may damage the Anchor plates. Don't use the electric screw driver either.

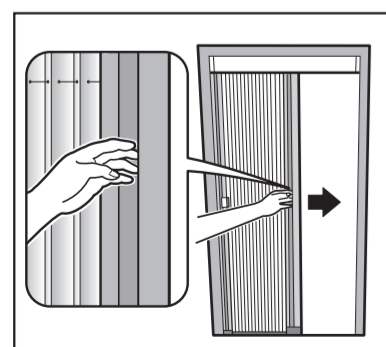


⑥ Please follow the same way shown in the previous Point 5-⑤. It's easy to push and click the Screen unit along the small projections of Anchor plate.
 To be continued to the Point 7 (Hold hook Installation)

Opening and closing the screen door

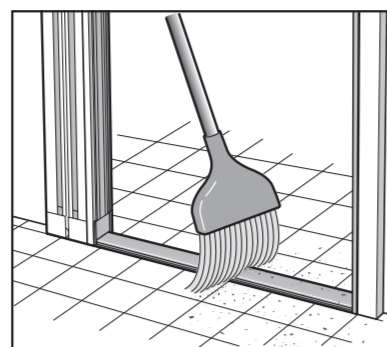


The hook of the Hook clip comes off by tilting slightly the Slide bar.
 Hold the groove around the center of the Slide bar and make the open & close operation.
 Note
 If you try to hold extremely high or low positions of the Slide bar, it may affect the smooth operation.

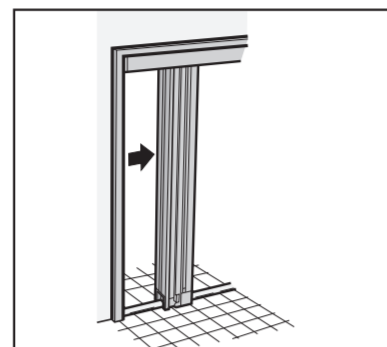


Hold the groove around the center of the Slide bar and make the open & close operation.
 Note
 If you try to hold extremely high or low positions of the Slide bar, it may affect the smooth operation.

Regular Care

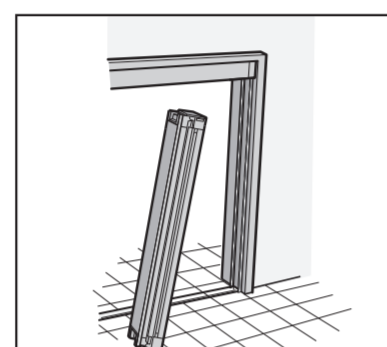


1. Clean the rail and surrounding area.
 The buildup of small pebbles, sand, dust, mud and the like on and around the rail will result in wear and eventual damage, preventing the screen door from opening and closing smoothly. Clean these areas thoroughly to remove all dirt and foreign objects.

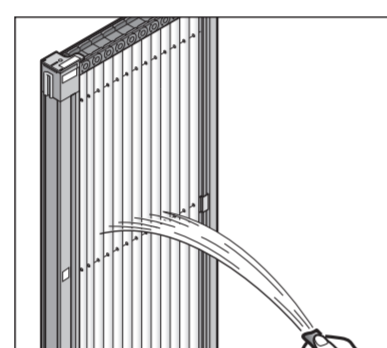


2. Remove the screen door unit.
 The screen door unit can be removed easily and rinsed when it is dirty. Use a soft brush or the like to clean the pleated net and scorpion tail.

① Hold the Stile post of the screen door unit with both hands and pull it towards the Stop post so that it will be taken out of the Anchor plates.
 If you try to take it away from the Anchor plate at the bottom position one by one, the work will be easier.

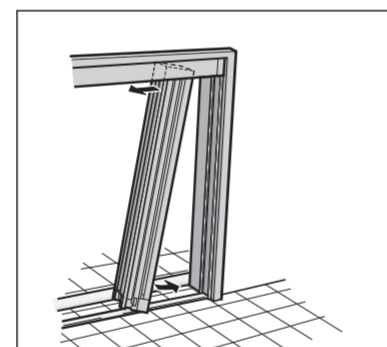


② Tilt the screen door unit and remove it from the top rail.

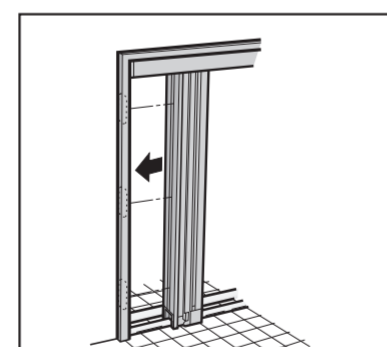


3. Rinse the screen door unit.
 ① Pull the screen door unit out so it is fully extended and place it upright against something.
 ② While spraying water on the screen door, clean with a brush or the like.
 Note: Be careful not to damage the pleated net or wire. If the screen door unit is very dirty, use a mild household detergent. Never use paint thinner, benzene or other organic solvents.

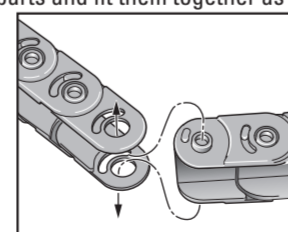
4. Drying the screen door unit
 After rinsing the screen door unit, dry all parts thoroughly.
 Note: Replacing the screen door unit when it is not thoroughly dry may cause it to not open and close properly. Also, it is more likely to attract sand, mud, dust and the like when wet.



5. Replacing the screen door unit
 ① Close the screen door.
 Note
 With the screen door unit placed on a level floor surface, close the screen door carefully, making sure that the top scorpion tail goes in properly.
 ② Check to make sure the screen door unit is right side up. The side labeled "UP SIDE" on the scorpionfish is the top.
 ③ Tilt the screen door unit and fit it between the top and bottom rails.



④ While making sure that the bottom of the screen door unit does not stick up from the bottom rail, align the stile post with the projections on the anchor plates and press in until you hear the click that indicates that the screen door unit is fastened in place.
 Note
 After replacing the screen door unit, pull the stile post to make sure it does not come loose from the anchor plates. When opening and closing the screen door, make sure the scorpiontail do not come apart. Even if this should happen, the two ends can be reconnected easily; align the parts and fit them together as shown below.



Safety Instructions

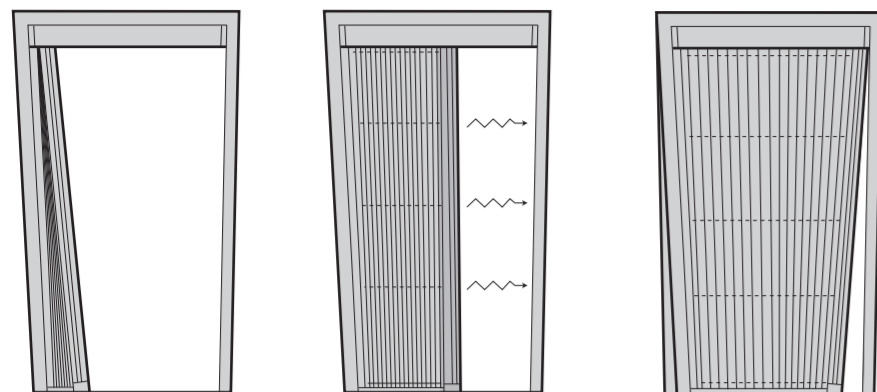
WARNING: Failure to follow these safety instructions could result in fire, serious injury or even death.

- ① Do not place any heating appliances near or by the screen door as this can cause fire.
- ② Do not place heavy objects, lean against, push hard or apply strong impacts to the screen door otherwise it may come off and fall down and cause serious injury.
- ③ Store or retreat the screen door into the Stile Post on a windy day otherwise it may fall down and cause damage or serious injury.

Note: Failure to follow the remarks below may cause serious injury or could damage your household effects around the screen door.

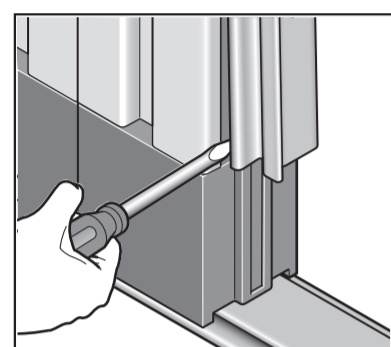
- ① Do not disassemble, deform or make any alterations to the screen door or to its parts. Do not use oil-based lubricant as it may catch dirt, mud, sand, etc. and may cause damage.
- ② Check the screen door is completely and properly retracted into the Stile Post when storing or it could deform the net making irregular lines causing the screen door work improperly.

Q1 The sliding bar is tilted and does not move smoothly. Alternately, the sliding bar and stile post are not parallel and the pleated net does not fold properly. The screen door is too difficult (or easy) to open and close. There is a gap between the sliding bar and the door stop.

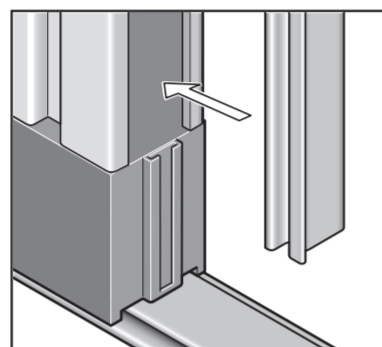


A1 Adjust the wire. (See "Adjusting the Wire Guide")

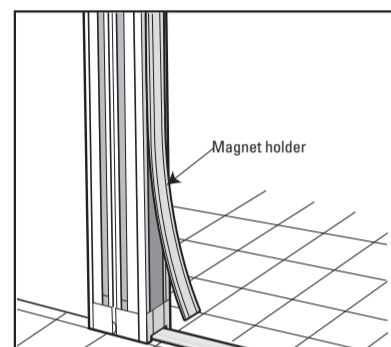
Adjusting the Wire Guide



1. Remove the magnet holder
 ① The screw that adjusts the sliding bar inclination is located on the inside of the sliding bar itself. To adjust it, you must first remove the magnet holder from the sliding bar.
 ② Insert a screwdriver into the lower of the gap between the magnet holder and sliding bar, and remove the magnet holder with lifting it.

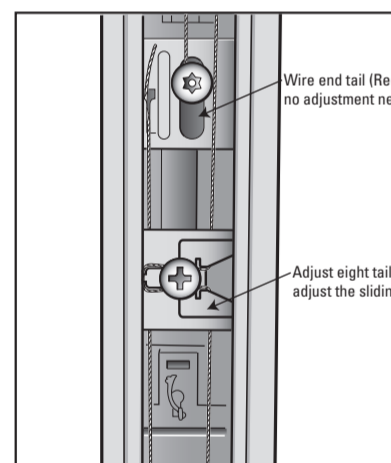
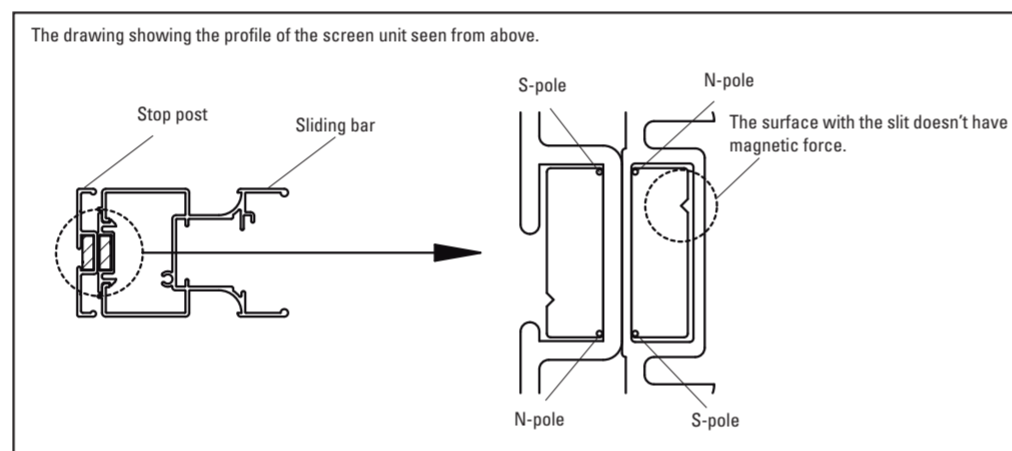


3. Attach the magnet holder.
 When the adjustment is complete, replace the magnet holder on the sliding bar.
 ① Fix the magnet holder along the groove at the bottom of Slide bar by pushing it down.

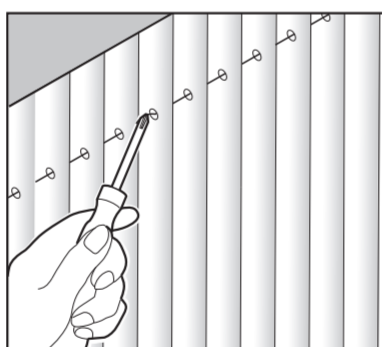


③ Hold the part that has come loose and pull from the bottom all the way to the top to remove the fin plate completely.

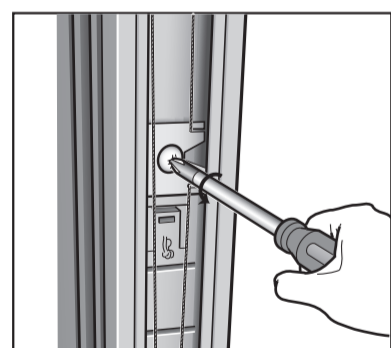
4. How to set Magnet plate
 When Magnet plate is set into Magnet holder, the directions where Magnet plate stands are as follows.



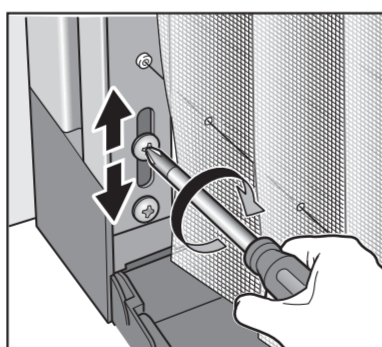
④ Check the positions of the screw which adjusts the sliding bar inclination and the screw which adjusts the wire tension.



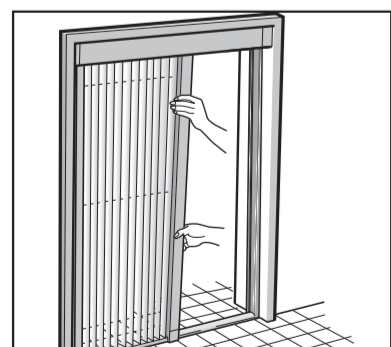
4. Adjust the wire tension.
 ① If the wires running through the pleating net are too taut or too loose, the screen door will be too difficult (or too easy) to open and close. Ideally, the wire should not be subjected to any tension.
 ② To check the wire tension, insert the tip of a screwdriver or other object from the bottom and pull the wire out gently. Adjust each section of the wire so it is neither too taut nor too slack.



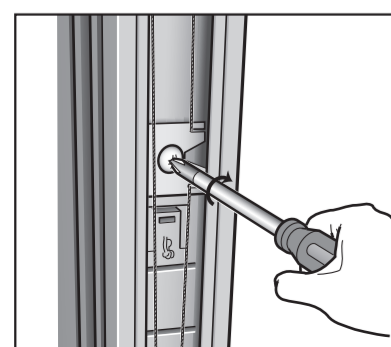
2. Adjust the inclination of the sliding bar.
 ① Loosen the screw of the white adjust eight uil.
Note
 There is a nut on the other side of the screw. Loosening the screw too far will cause the nut to come loose, so be careful not to do this.



③ The screw to adjust the wire is attached around the bottom of the Slide bar.
④ By loosening the adjustment screw and lifting it, the wire will loosen. On the other hand, by lowering the adjustment screw, the wire will stretch.
⑤ Screw it tightly at the adjusted position and fix it.
⑥ Move the Slide bar from side to side to check the smooth operation to find the comfortable position.

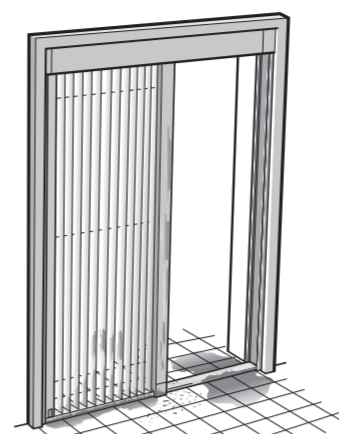


② Adjust the inclination of the sliding bar so it is straight.



③ Tighten the screw of the white adjust eight tail.
Note
 Do not tighten the screw too much or use an electric screwdriver, as this may damage the screw or the components.
 After adjusting the sliding bar inclination, be sure to check the tension of all of the wires running through the pleated net and adjust if necessary. (See step 4 "Adjust the wire tension" below.)

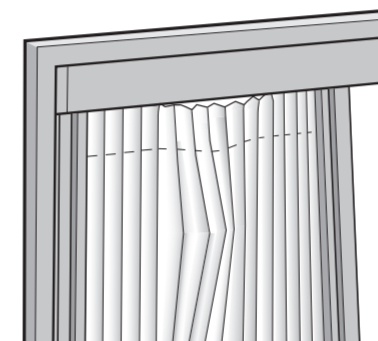
Q2 There are small pebbles, sand, dust and mud on and around the rails, preventing the screen door from moving smoothly.



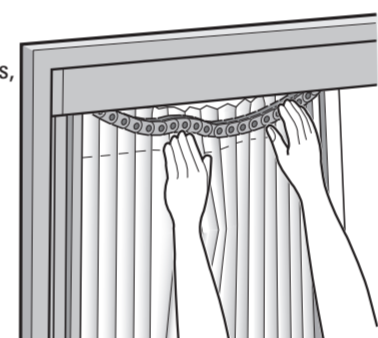
A2 Clean the rail and the surrounding area thoroughly. (See "Regular Care")

Q3 On very windy or gusty days when I try to keep the door open, the scorpion tail comes loose from the top of the pleated net and the screen door sags.

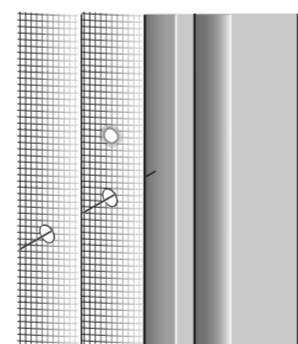
Q4 I pushed the top of the net or an object struck it and the scorpion tail came loose from the top of the pleated net, causing the screen door to sag.



A3-A4 While making sure the screen door does not fall, return the scorpion tail to its proper position at the top of the pleated net.
WARNING: Do not move the sliding bar by force. This is dangerous, as the screen door may fall. If the screen door should fall, remove the screen door unit from the frame and then put it back together and replace it.
Note
 If the scorpion tail is in pieces, it may not be possible to repair it at the site. In such cases, consult your dealer.



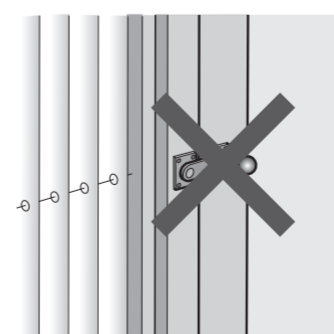
Q5 I was using a knife and accidentally cut the pleating net or the wire going through it. Alternately, I accidentally placed a cigarette against the net and melted a small hole through it.



A5 The damaged pleated net can be easily replaced. Please consult your dealer.

Q6 An object fell against the sliding bar and stile post, denting them, and now the sliding bar will not move.

Q7 I screwed a handle or lock onto the sliding bar, and now the sliding bar will not move.



A6-A7 The screen door works by housing the scorpion tail inside the sliding bar and stile post. Therefore, you should never attempt to drill holes in the (aluminum) material and screw on a handle or lock. If you have attempted to do this and the screen door does not move even when the screws are removed, or if the material is dented, you must replace the entire screen door unit. Please consult your dealer.